

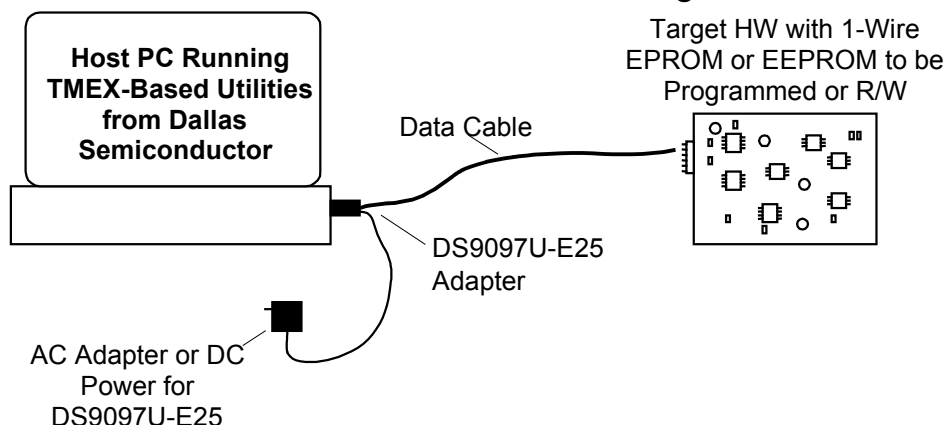
INTRODUCTION

Dallas Semiconductor offers hardware/software solutions for programming DS243x series EEPROM and DS250x series EPROM devices (or the DS197x and DS198x iButton[®] form factors) in a PC-based environment. While these devices are commonly programmed in an embedded application, it is often desirable or necessary to preprogram devices with data for prototyping purposes. An easy-to-use PC-based platform simplifies this task and is the scope of this document.

HARDWARE REQUIREMENTS

Shown in Figure 1 is a typical PC based Hardware configuration for 1-Wire[®] EEPROM and EPROM programming. Required items include a Windows[®] (98, 95, ME, 2K) based PC with a spare serial (COM) port, a Dallas Semiconductor serial to 1-Wire port adapter, and cabling to attach 1-Wire devices for programming.

PC-BASED PROGRAMMING CONFIGURATION Figure 1



Dallas Semiconductor offers a variety of adapters that convert Serial COM port communication to 1-Wire waveforms and protocol. See Table 1 for a comparison of port adapter capabilities relative to EEPROM/EPROM reading and programming. The DS9097U are the current generation adapters. The DS9097U-009 and the DS9097U-S09 are the recommended models for EEPROM programming. The DS9097U-E25 is the recommended model for EPROM programming. Figure 2 shows the DS9097U-E25 package and the connector pinouts. The RJ-11 pinout applies to all port adapters in Table 1.

1-WIRE SERIAL PORT ADAPTERS Table 1

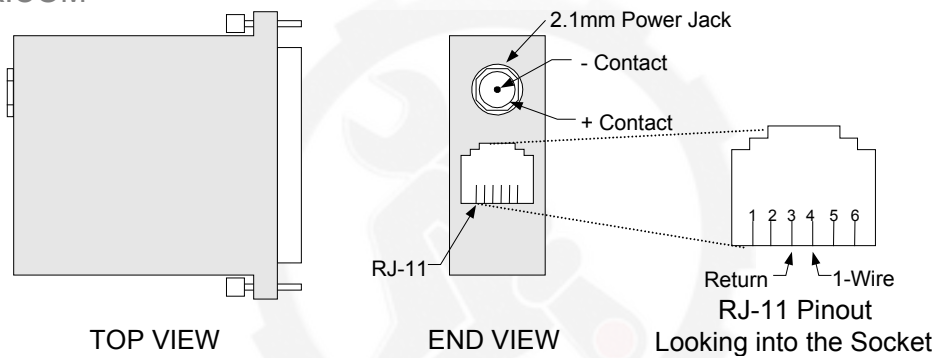
ADAPTER	EEPROM R/W	EPROM READ	EPROM PROGRAM
DS9097U-009	X	X	
DS9097U-S09	X	X	
DS9097U-E25	X	X	X
DS9097E*	X	X	X

* Not recommended for new projects.

iButton and 1-Wire are registered trademarks of Dallas Semiconductor.
 Windows is a registered trademark of Microsoft Corporation.

DS9097U-E25 1-WIRE SERIAL PORT ADAPTER AND +12V PINOUTS Figure 2

VINAFIX.COM



12V_{DC} Power for EPROM Programming

Programming EPROMs requires the application of a +12V_{DC} programming pulse. The DS9097U-E25 provides this capability when supplied with +12V_{DC} power. As shown in Figure 2, a 2.1mm power jack is used to attach either power from a bench supply or common AC wall adapter. Power jack polarity must be observed: center contact is ground and outer contact is +12V. See EPROM data sheets for voltage tolerance and current levels required to program devices. The following +12V_{DC} wall adapter has been successfully used to program devices:

- Stancor # STA-300R

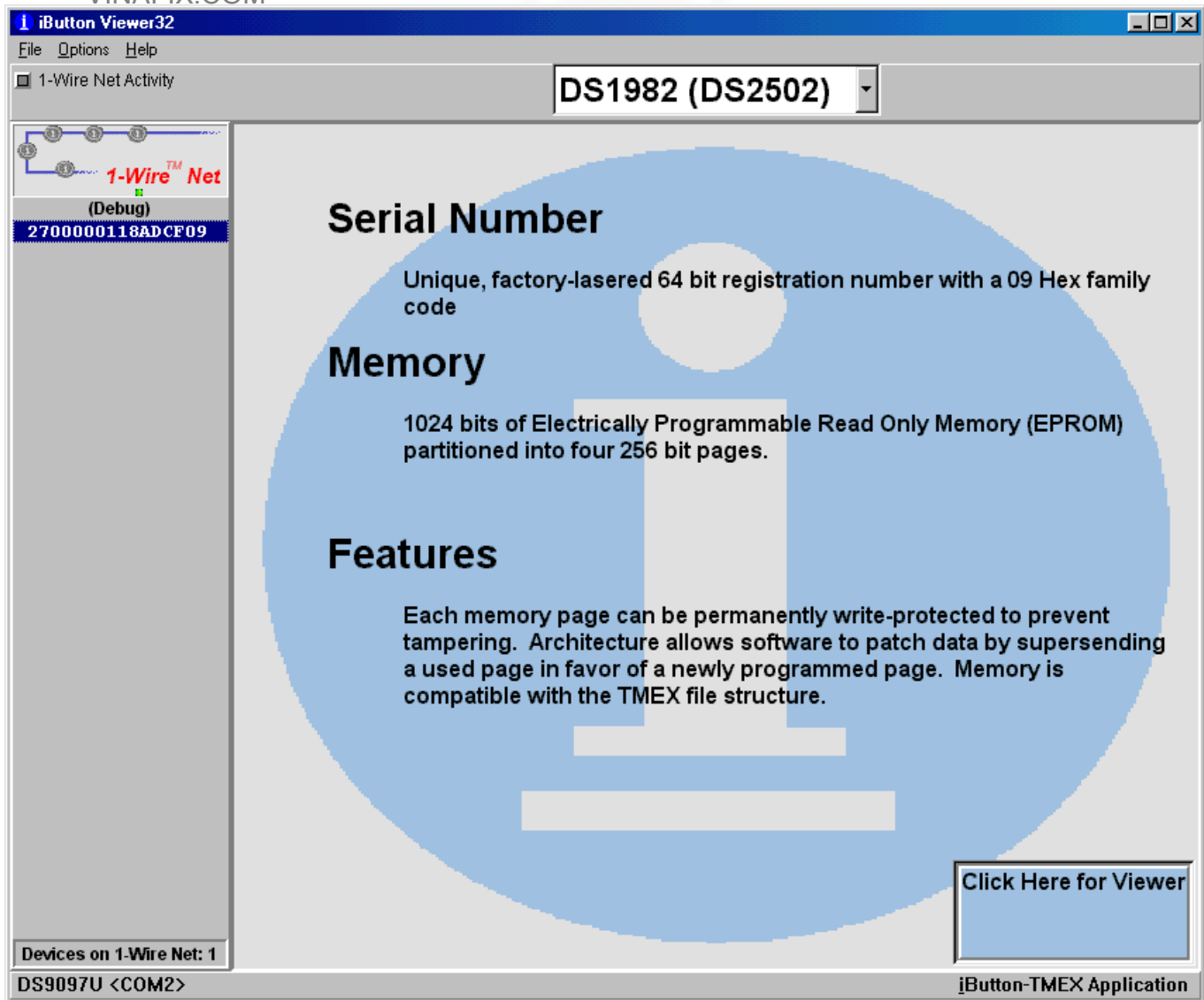
It can also be purchased from the following:

- Allied (Stock #928-9895)
- Newark (Stock #84F2081)

A schematic for a serial port-based adapter similar to the DS9097U-E25 that supports EPROM programming is shown in Figure 3. This schematic can be used as a reference for developing an adapter that will operate from an RS232 serial port. If +12V EPROM programming is not a requirement, components R5-R7, D5, D6, and D9 can be eliminated and the DS2480B V_{PP} signal (pin 5) must be connected to V_{DD} (pin 4).

SCREEN PRINT OF iButton VIEWER OPENING SCREEN Figure 4

VINAFIX.COM



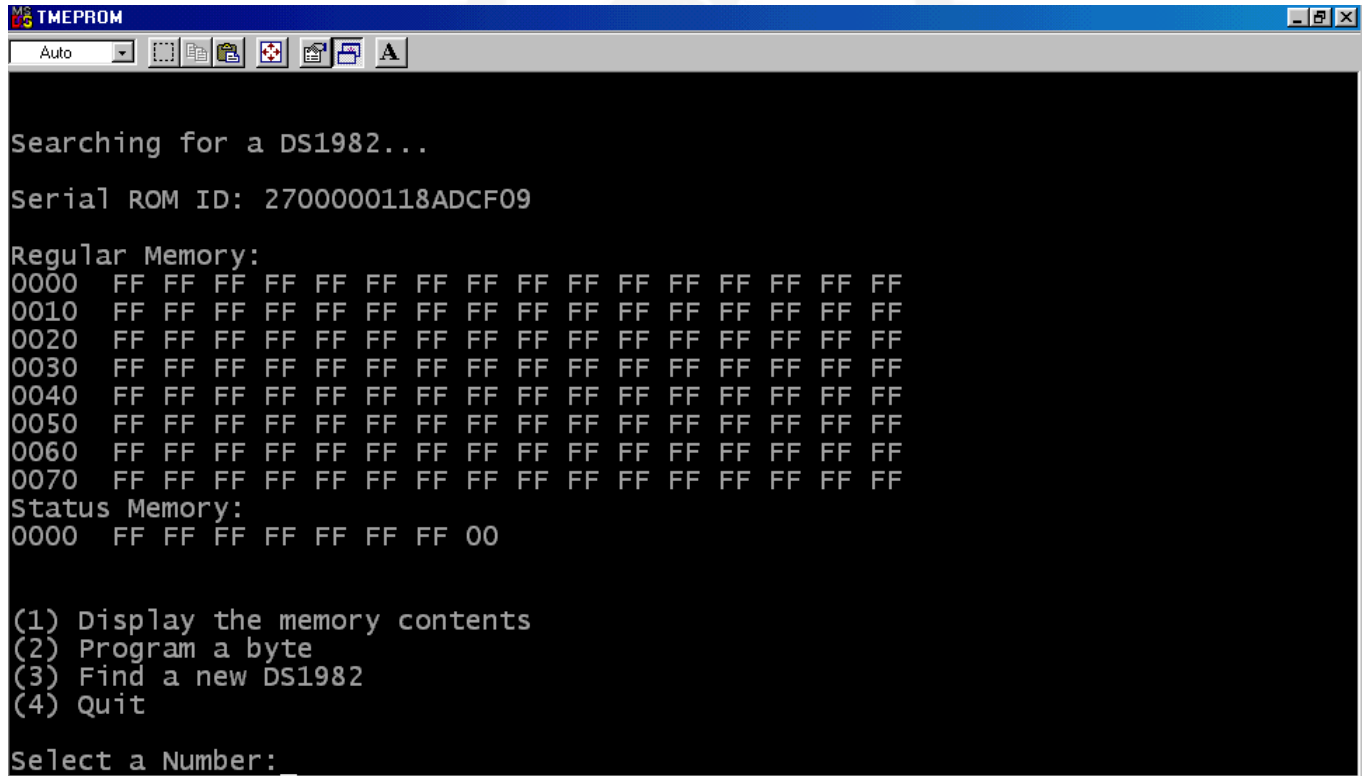
As 1-Wire devices are attached to the serial port adapter their 64-bit ROM values are displayed by the viewer. Double clicking the ROM value launches device read/write utilities. The iButton Viewer supports two formats for read/write EPROM/EEPROM data: 1-Wire File Structure and raw/user defined. The 1-Wire File Structure format, defined in *Application Note 114*, stores data in a fashion similar to that found in disk operating systems: directories with files of data. In the 1-Wire File Structure mode, data can be programmed and read using the iButton Viewer. The raw/user-defined format is unconstrained and data is written to individual byte locations. Operating in the raw/user-defined mode requires the iButton Viewer to be set to debug mode. This is set from the menu tool bar by selecting File→Options→Debug Enable. At the time of this writing the debug mode of the iButton Viewer supports only reading raw EPROM data. A future update to the iButton Viewer may support raw data programming.

In order to program EPROM devices with a raw data format, the utility TMEPROM.EXE needs to be used. This program and the source code can be downloaded from the following link:

ftp://ftp.dalsemi.com/pub/auto_id/softdev/tmeprom.zip

Before TMEPROM can be run the TMEX-RTE must be installed with a DS9097U-E25 attached during the installation process of the default 1-Wire port. This ensures that the correct COM Port and adapter type are configured for TMEPROM operation. The utility will automatically exit if there is no DS9097U-E25 and EPROM device attached. When configured and launched with a DS1982/DS2502 attached this application provides a display as shown in Figure 5.

SCREEN PRINT OF TMEPROM PROGRAM Figure 5



```
TMEPROM
Auto
Searching for a DS1982...
Serial ROM ID: 2700000118ADCF09
Regular Memory:
0000 FF FF FF FF FF FF FF FF FF FF FF FF FF FF FF
0010 FF FF FF FF FF FF FF FF FF FF FF FF FF FF FF
0020 FF FF FF FF FF FF FF FF FF FF FF FF FF FF FF
0030 FF FF FF FF FF FF FF FF FF FF FF FF FF FF FF
0040 FF FF FF FF FF FF FF FF FF FF FF FF FF FF FF
0050 FF FF FF FF FF FF FF FF FF FF FF FF FF FF FF
0060 FF FF FF FF FF FF FF FF FF FF FF FF FF FF FF
0070 FF FF FF FF FF FF FF FF FF FF FF FF FF FF FF
Status Memory:
0000 FF FF FF FF FF FF 00
(1) Display the memory contents
(2) Program a byte
(3) Find a new DS1982
(4) Quit
Select a Number:
```

Two additional utilities for EPROM programming are available at the links listed below:

- Copy hex file into EPROM 1-Wire devices (console, C, 32-bit) 1.03
ftp://ftp.dalsemi.com/pub/auto_id/softdev/eprom103.zip
- iButton Copy Machine (GUI, Delphi, 32-bit) 3.11Beta9
ftp://ftp.dalsemi.com/pub/auto_id/softdev/ibcm31b9.zip

Using a NVRAM iButton (the DS1992, DS1994, DS1995, or DS1996) and the iButton Viewer, it is possible to program the raw data into the NVRAM device and then using the iButton Copy Machine to copy from the NVRAM device to an EPROM device. These programs are not suitable to gang program EPROM devices. Due to the 12V programming pulse, there must not be any non-EPROM devices on the line when programming EPROM devices.

SUMMARY

Dallas Semiconductor enables pre-programming of 1-Wire EPROM/EEPROM devices with easy-to-use serial port adapters and PC-based software. Using one of these low cost adapters and free software enables the end-user to quickly setup a programming station to configure a device with the data necessary for prototyping or for easy evaluation of changes to device data sets.