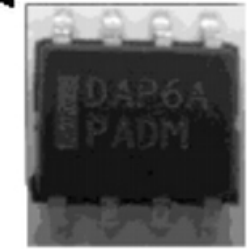
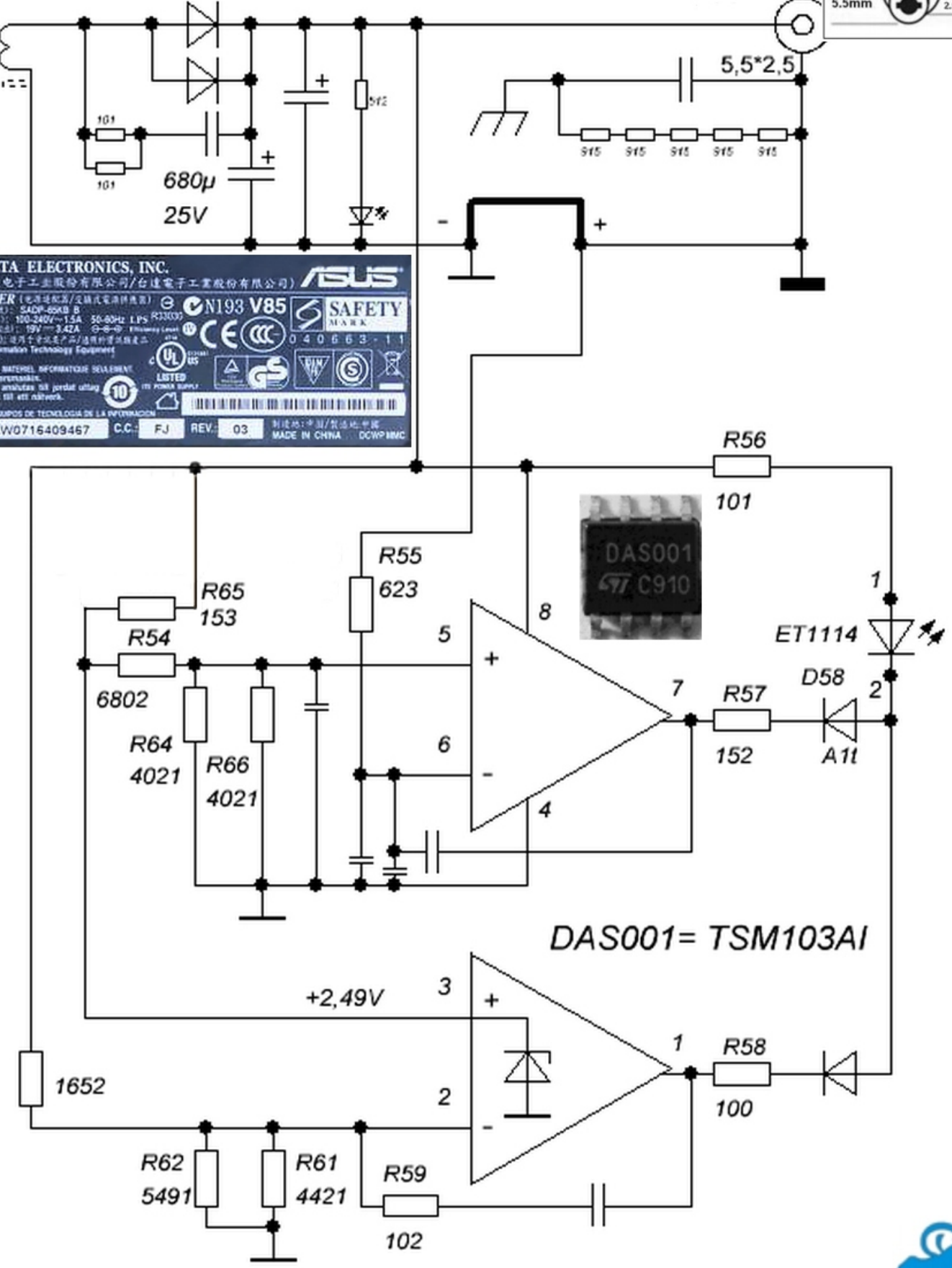
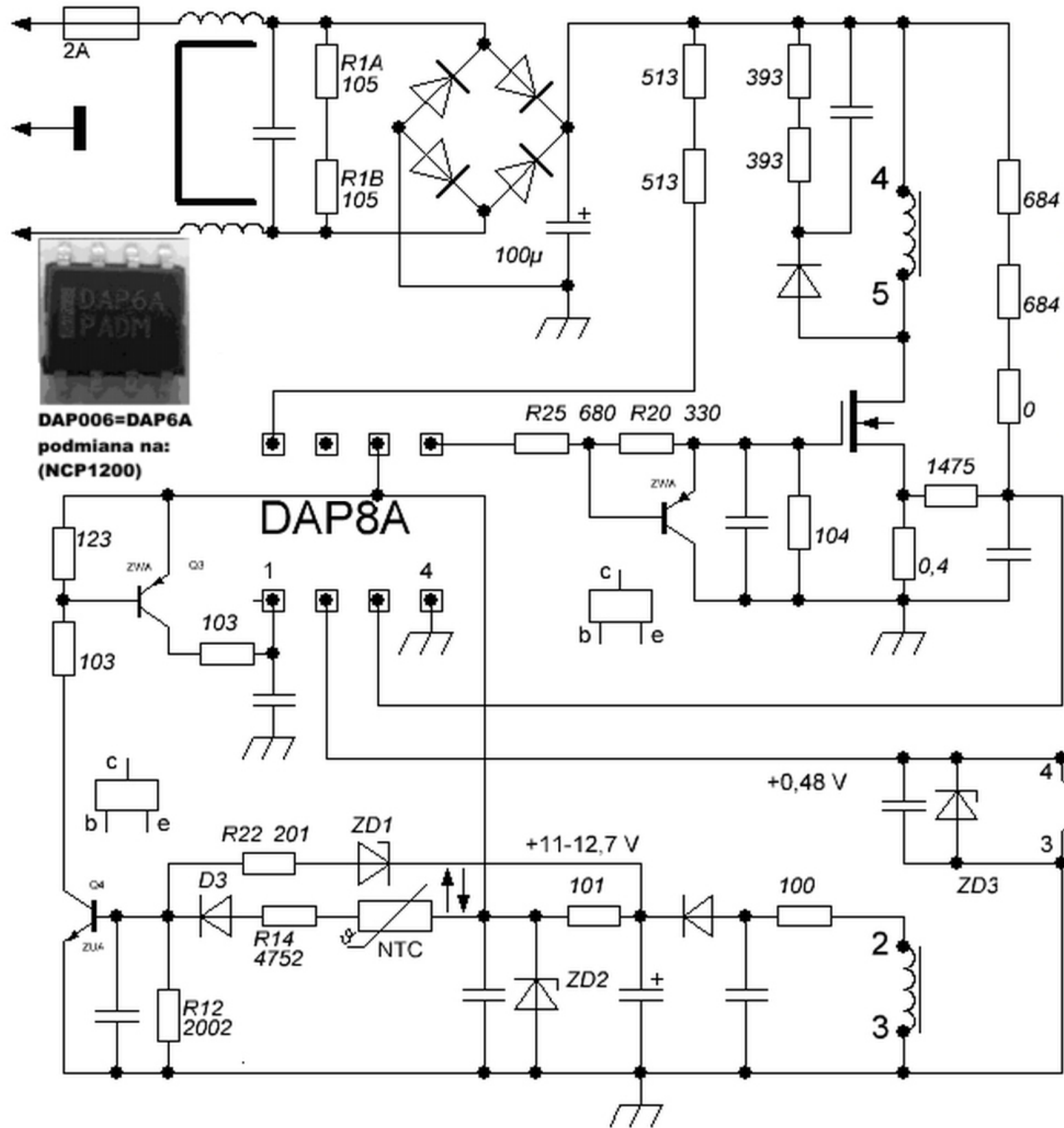
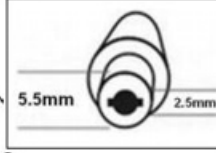


Asus model: SADP-65KB B OUT: 19V/3,42A



DAP006=DAP6A
 podmiana na:
 (NCP1200)



DAS001= TSM103AI

