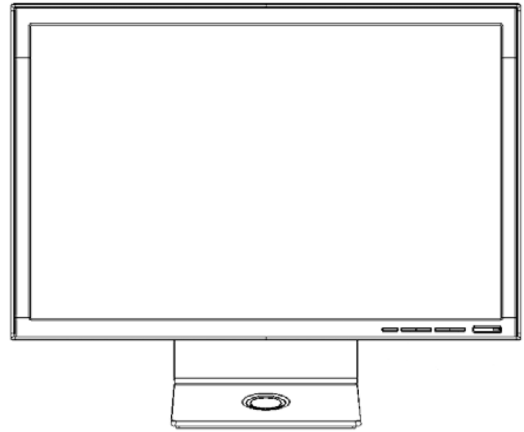


Service  
Service  
Service



# Service Manual

Horizontal Frequency  
30-83 KHz

## TABLE OF CONTENTS

Description	Page	Description	Page
<a href="#">Table Of Contents</a> .....	<a href="#">1</a>	<a href="#">5.1.Software Flow Chart</a> .....	<a href="#">14</a>
<a href="#">Revision List</a> .....	<a href="#">2</a>	<a href="#">5.2.Electrical Block Diagram</a> .....	<a href="#">16</a>
<a href="#">Important Safety Notice</a> .....	<a href="#">3</a>	<a href="#">6.Schematic</a> .....	<a href="#">18</a>
<a href="#">1.Monitor Specification</a> .....	<a href="#">4</a>	<a href="#">6.1Main Board</a> .....	<a href="#">18</a>
<a href="#">2.LCD Monitor Description</a> .....	<a href="#">5</a>	<a href="#">6.2Power Board</a> .....	<a href="#">22</a>
<a href="#">3.Operation Instruction</a> .....	<a href="#">6</a>	<a href="#">7.PCB Layout</a> .....	<a href="#">24</a>
<a href="#">3.1.General Instructions</a> .....	<a href="#">6</a>	<a href="#">7.1.Main Board</a> .....	<a href="#">24</a>
<a href="#">3.2.Control Button</a> .....	<a href="#">6</a>	<a href="#">7.2.Key Board</a> .....	<a href="#">26</a>
<a href="#">3.3.OSD Menu</a> .....	<a href="#">7</a>	<a href="#">8.Maintainability</a> .....	<a href="#">27</a>
<a href="#">4.Input/Output Specification</a> .....	<a href="#">10</a>	<a href="#">8.1.Equipments and Tools Requirement</a> .....	<a href="#">27</a>
<a href="#">4.1.Input Signal Connector</a> .....	<a href="#">10</a>	<a href="#">8.2.Trouble Shooting</a> .....	<a href="#">28</a>
<a href="#">4.2.Factory Preset Display Modes</a> .....	<a href="#">11</a>	<a href="#">9.White-Balance, Luminance adjustment</a> .....	<a href="#">34</a>
<a href="#">4.3.Power Supply Requirements</a> .....	<a href="#">11</a>	<a href="#">10.Monitor Explode View</a> .....	<a href="#">36</a>
<a href="#">4.4.Panel Specification</a> .....	<a href="#">12</a>	<a href="#">11.BOM List</a> .....	<a href="#">37</a>
<a href="#">5.Block Diagram</a> .....	<a href="#">14</a>	<a href="#">12.Different Parts List</a> .....	<a href="#">52</a>

### SAFETY NOTICE

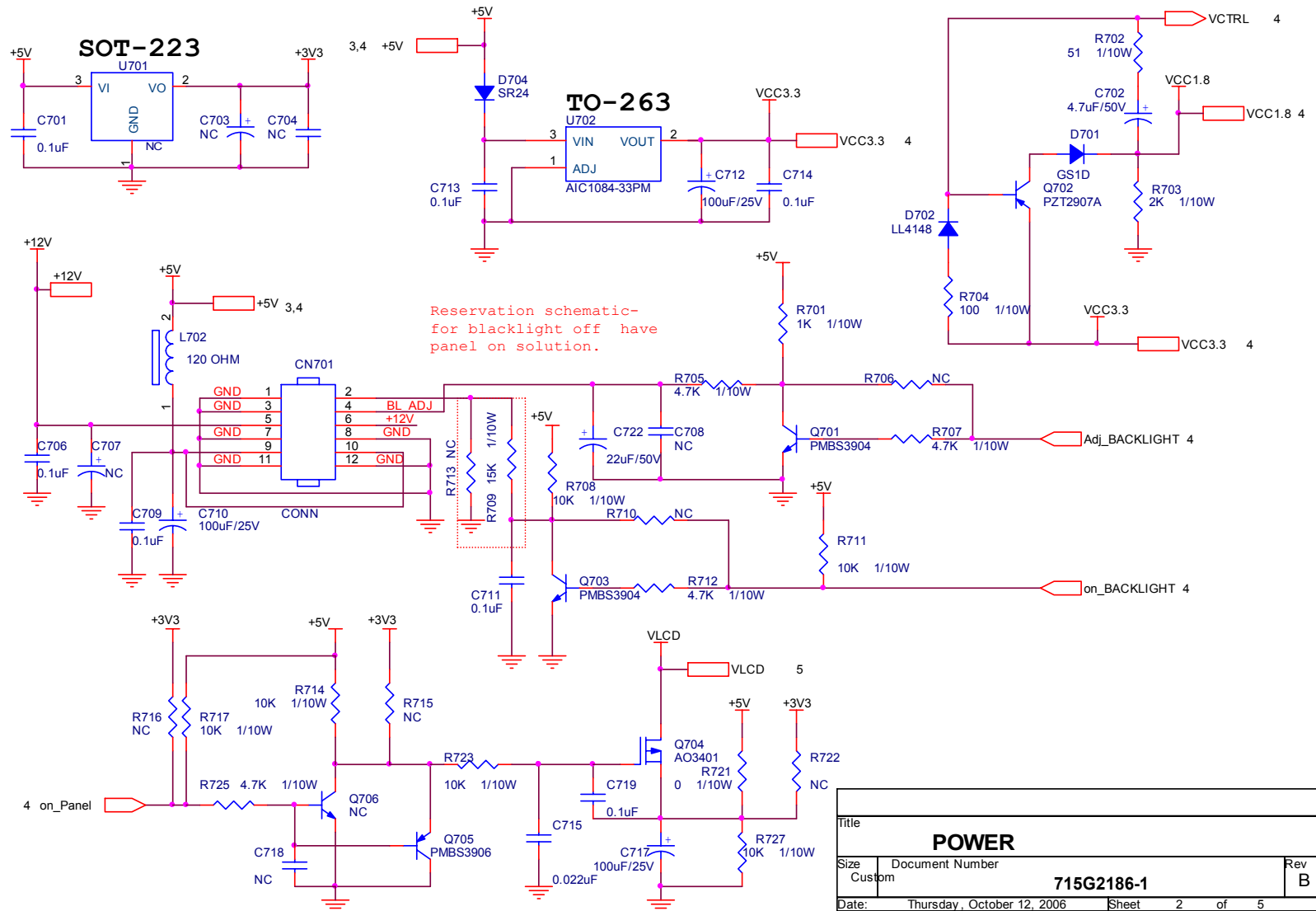
ANY PERSON ATTEMPTING TO SERVICE THIS CHASSIS MUST FAMILIARIZE HIMSELF WITH THE CHASSIS AND BE AWARE OF THE NECESSARY SAFETY PRECAUTIONS TO BE USED WHEN SERVICING ELECTRONIC EQUIPMENT CONTAINING HIGH VOLTAGES.

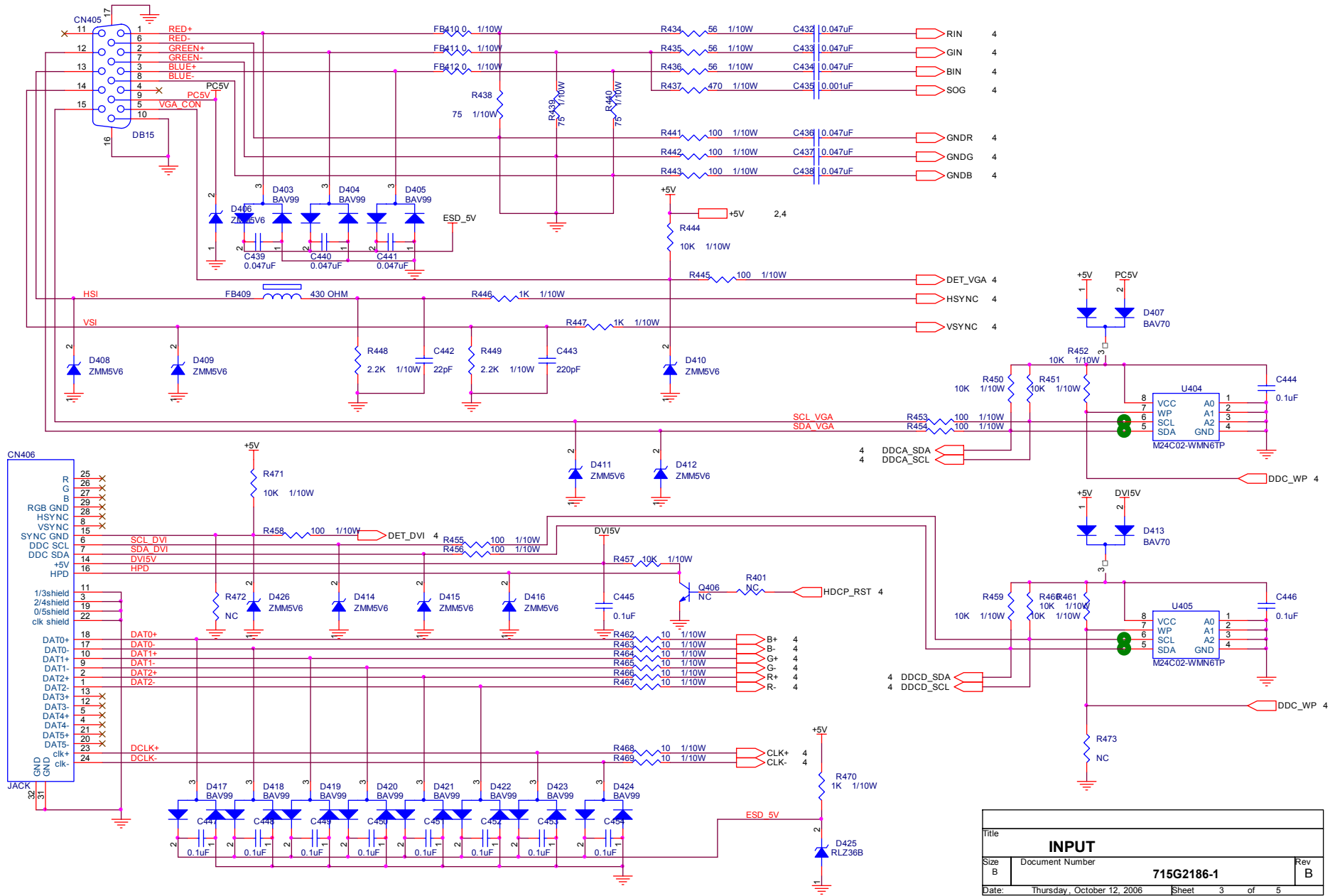
CAUTION: USE A SEPARATE ISOLATION TRANSFORMER FOR THIS UNIT WHEN SERVICING

### 6. Schematic

#### 6.1 Main Board

715G2186-1





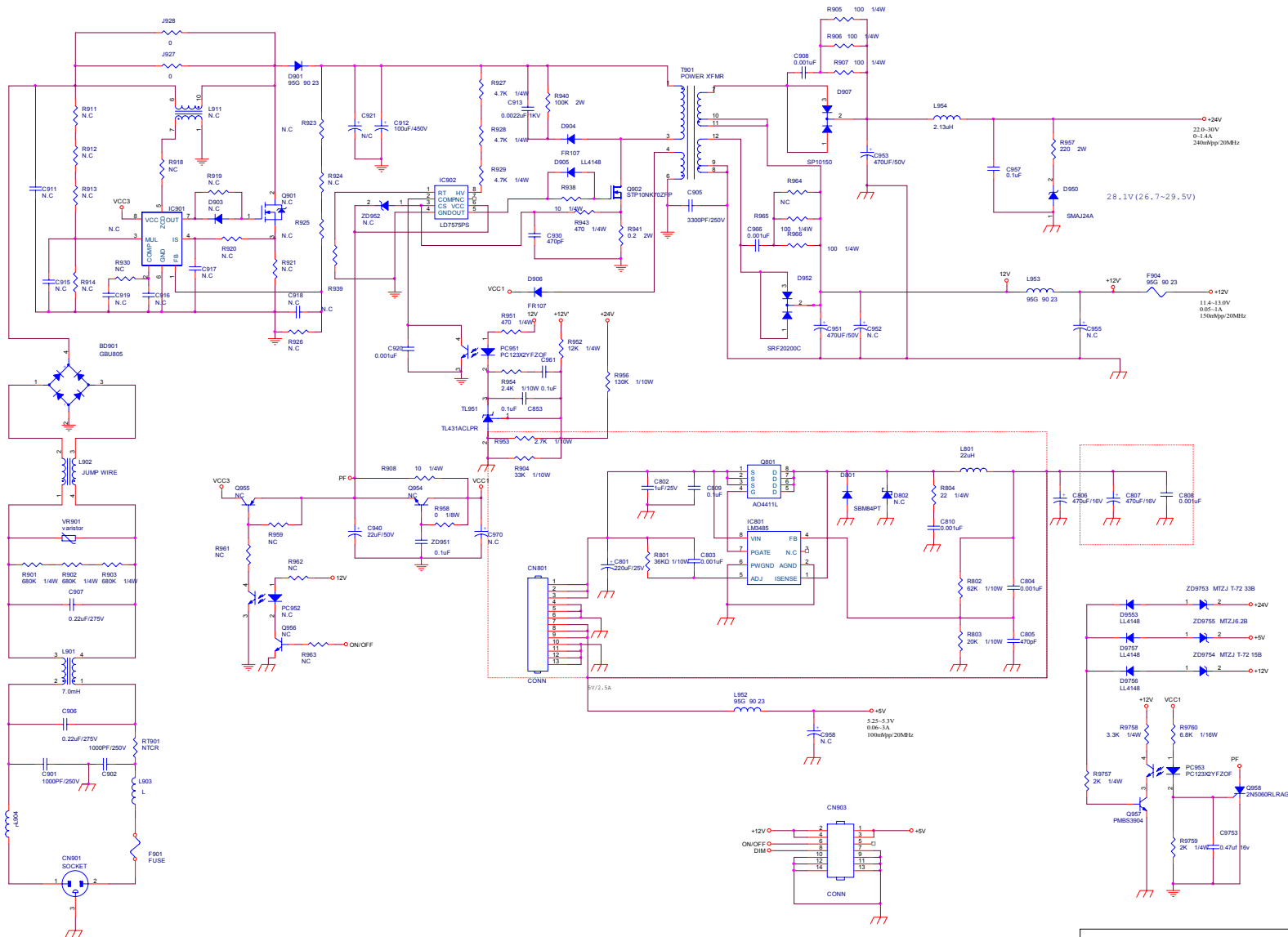
Title		
<b>INPUT</b>		
Size B	Document Number	Rev B
	<b>715G2186-1</b>	
Date:	Thursday, October 12, 2006	Sheet 3 of 5



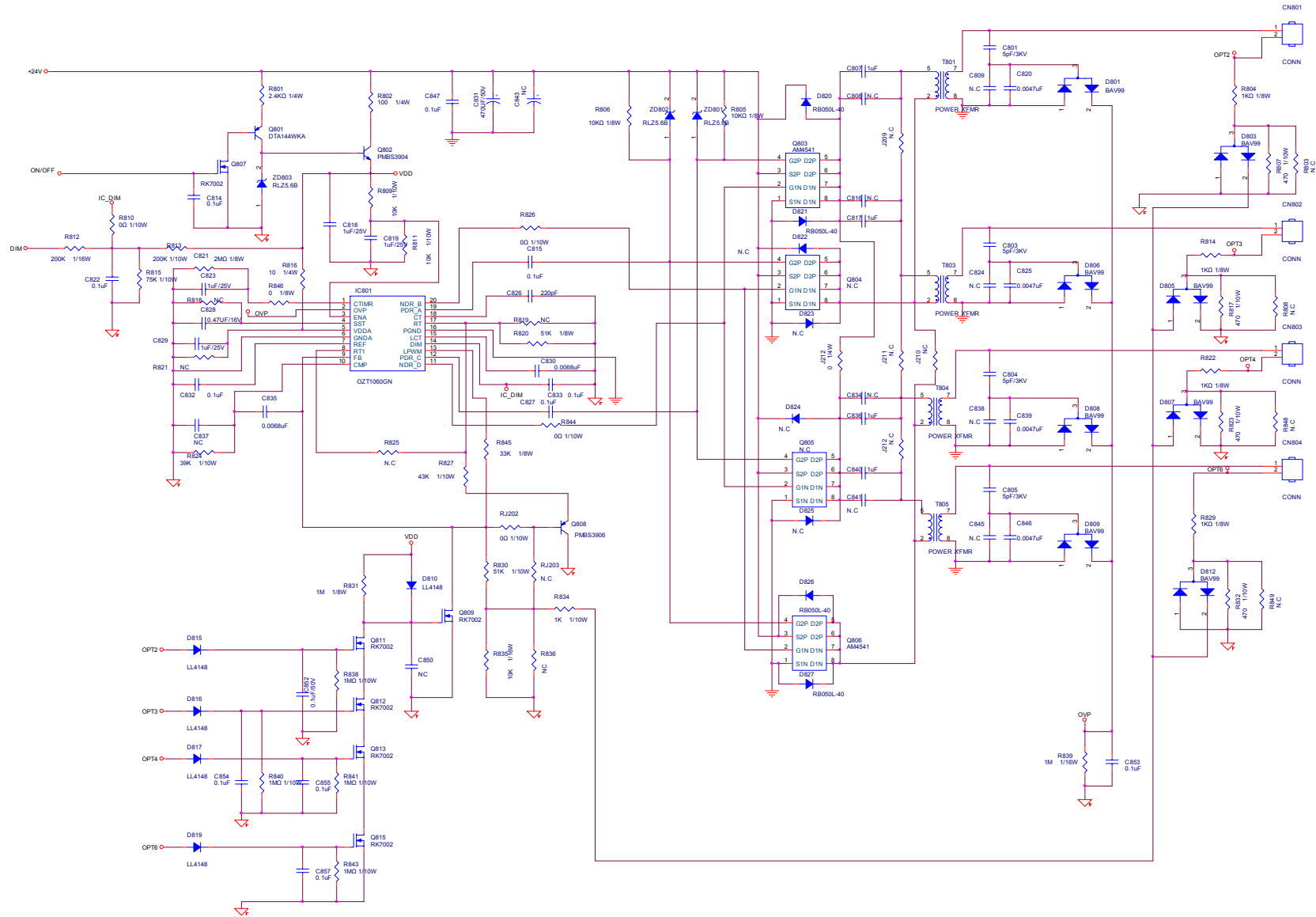


6.2 Power Board

715G2101-1A



File 22" LCD Monitor		
Size	Document Number G2101-1-X-X-1-060815	Rev 1
Date	Tues, 2007-08-14 15:20:00	Sheet 1 of 1



File	<Title>	<Rev Code>
Size	Document Number	Rev
C	<Doc> G2101-1-X-X-1-060815	1
Date	Genesys August 15, 2005	Sheet 1 of 3