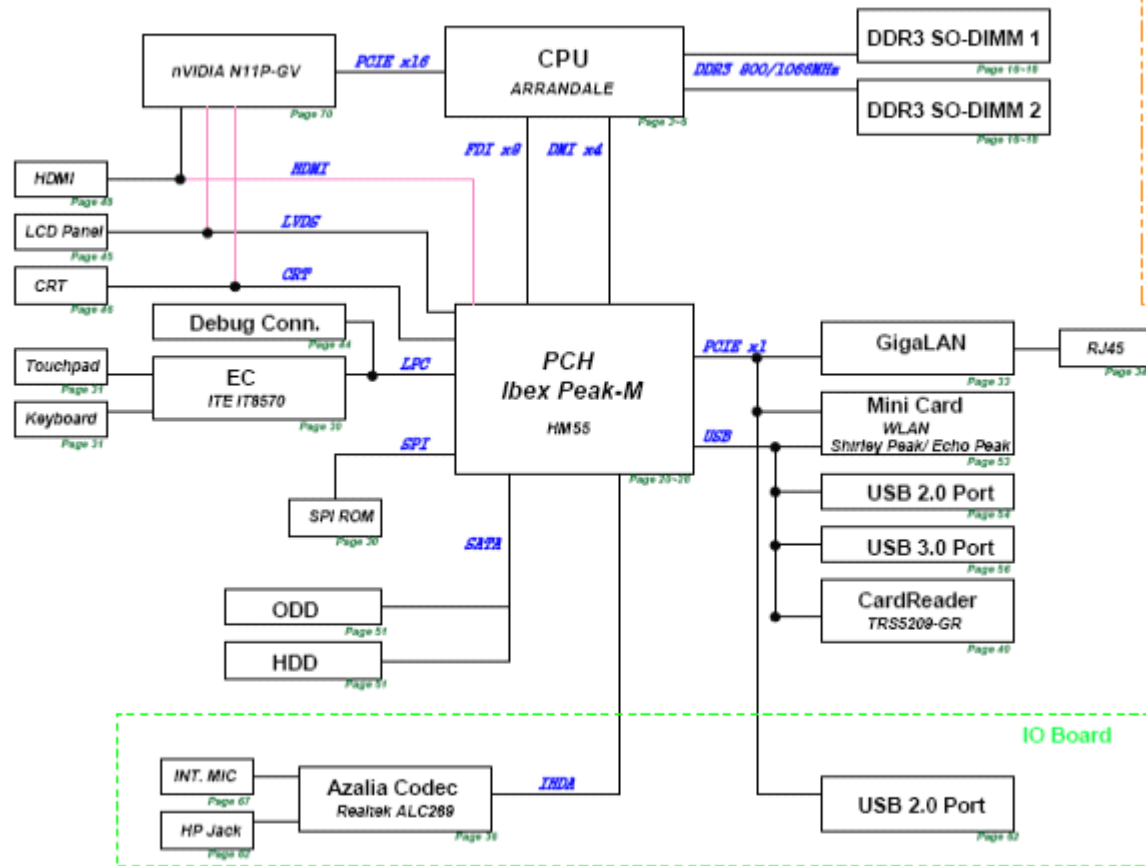
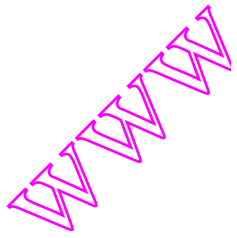


BLOCK DIAGRAM

U41JF SCHEMATIC Revision 2.0



Power	
VCORE	Page 60
System	Page 61
1.5VS & 1.05VS	Page 62
DDR & VTT	Page 63
+2.5VS	Page 64
Charger	Page 65
Detect	Page 66
Load Switch	Page 67
Power Protect	Page 68

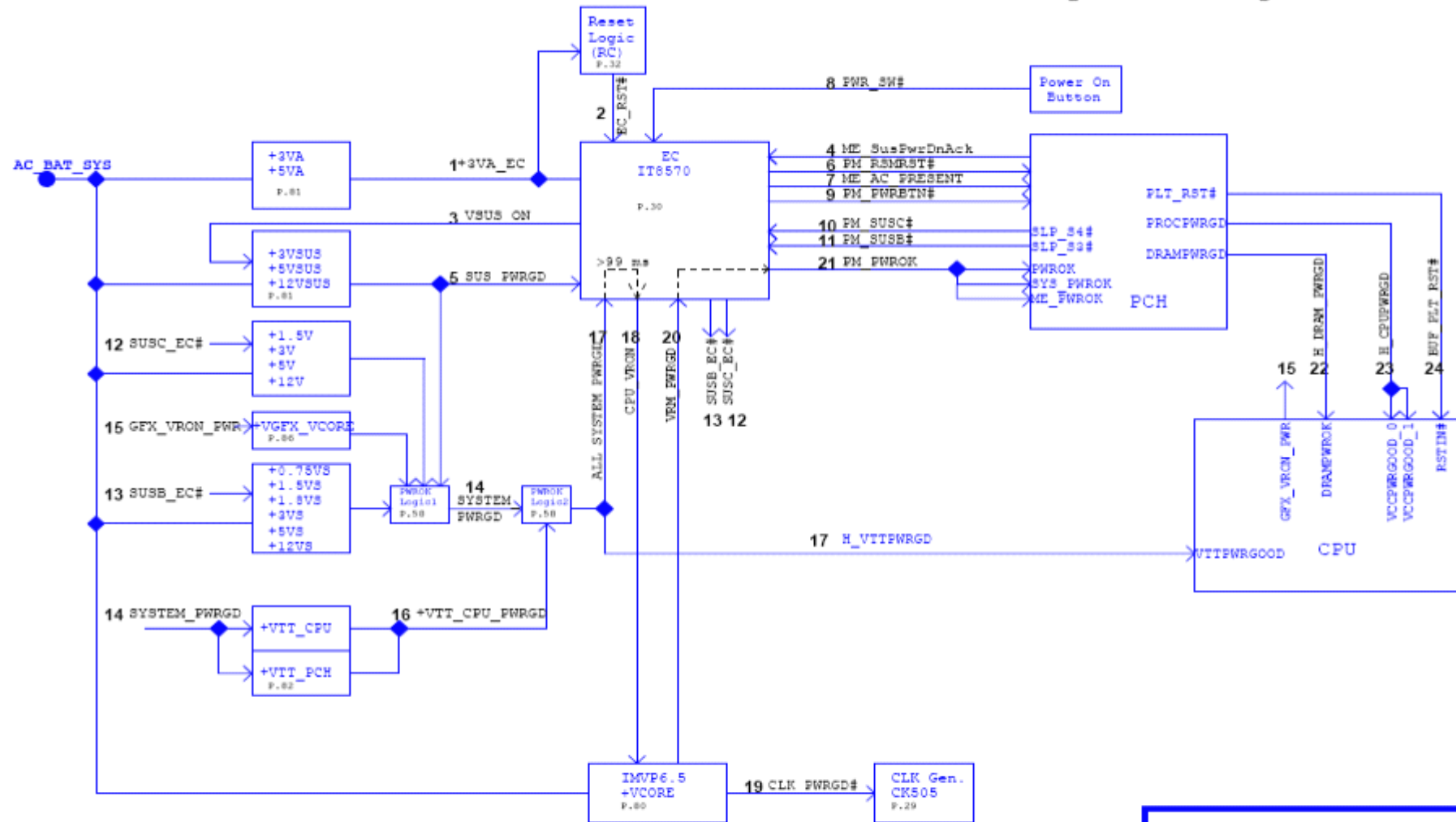


Clock Generator ICS9LV3162BKLF	Discharge Circuit	DC & BATT. Conn.	Bluetooth
Page 23	Page 57	Page 60	Page 51
PWM Fan	Reset Circuit	Screw Holes	CMOS Camera
Page 50	Page 32	Page 65	Page 57

POWER ON SEQUENCE

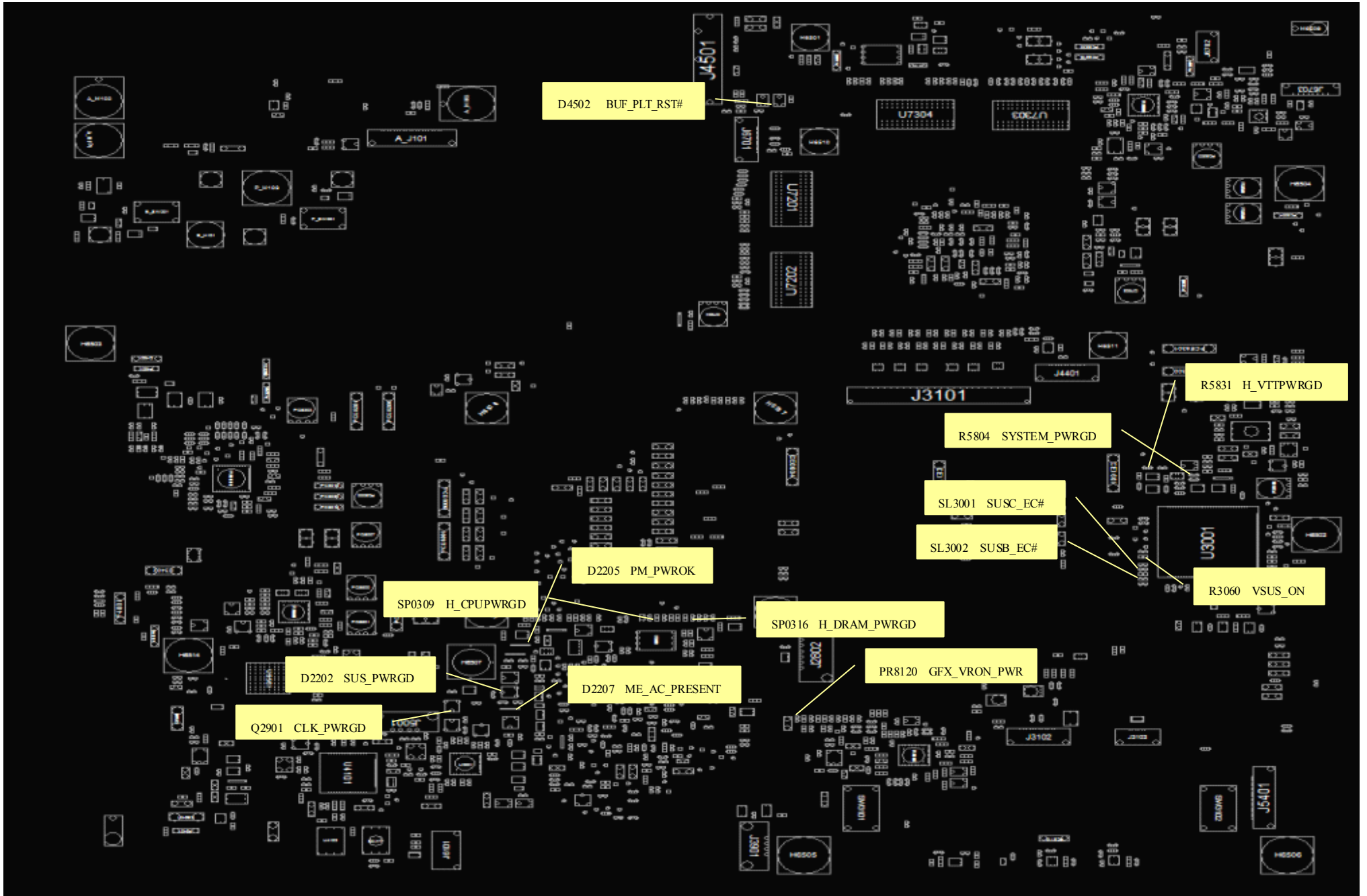
AC-IN Mode

K72F Power On Sequence Diagram Rev. 2.0



Power On Sequence
1 → 24

Voltage & Signal Measure Point T



D4502 BUF_PLT_RST#

R5831 H_VTTPWRGD

R5804 SYSTEM_PWRGD

SL3001 SUSC_EC#

SL3002 SUSB_EC#

R3060 VSUS_ON

D2205 PM_PWROK

SP0309 H_CPUPWRGD

SP0316 H_DRAM_PWRGD

D2202 SUS_PWRGD

D2207 ME_AC_PRESENT

PR8120 GFX_VRON_PWR

Q2901 CLK_PWRGD

Voltage & Signal Measure Point B

