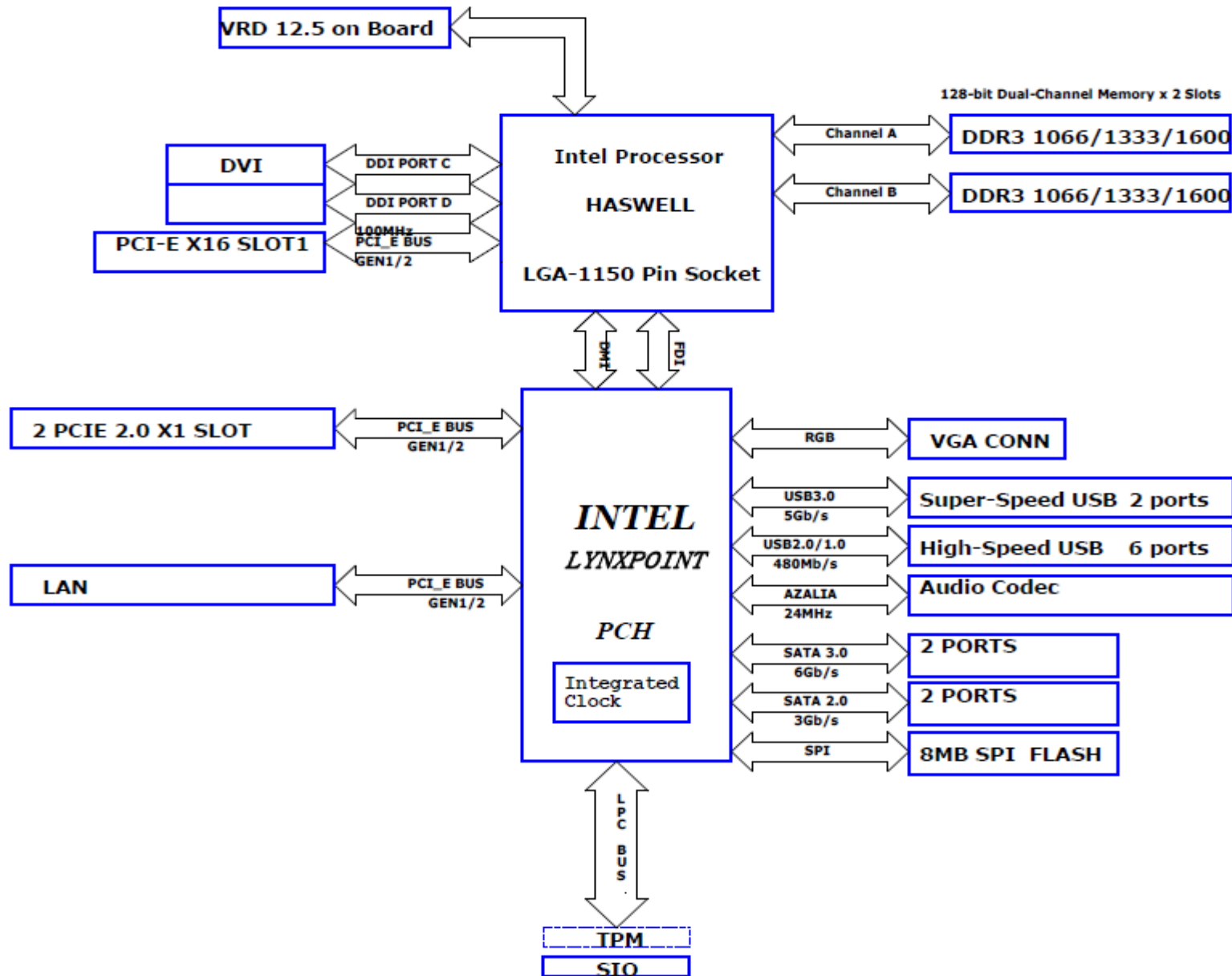
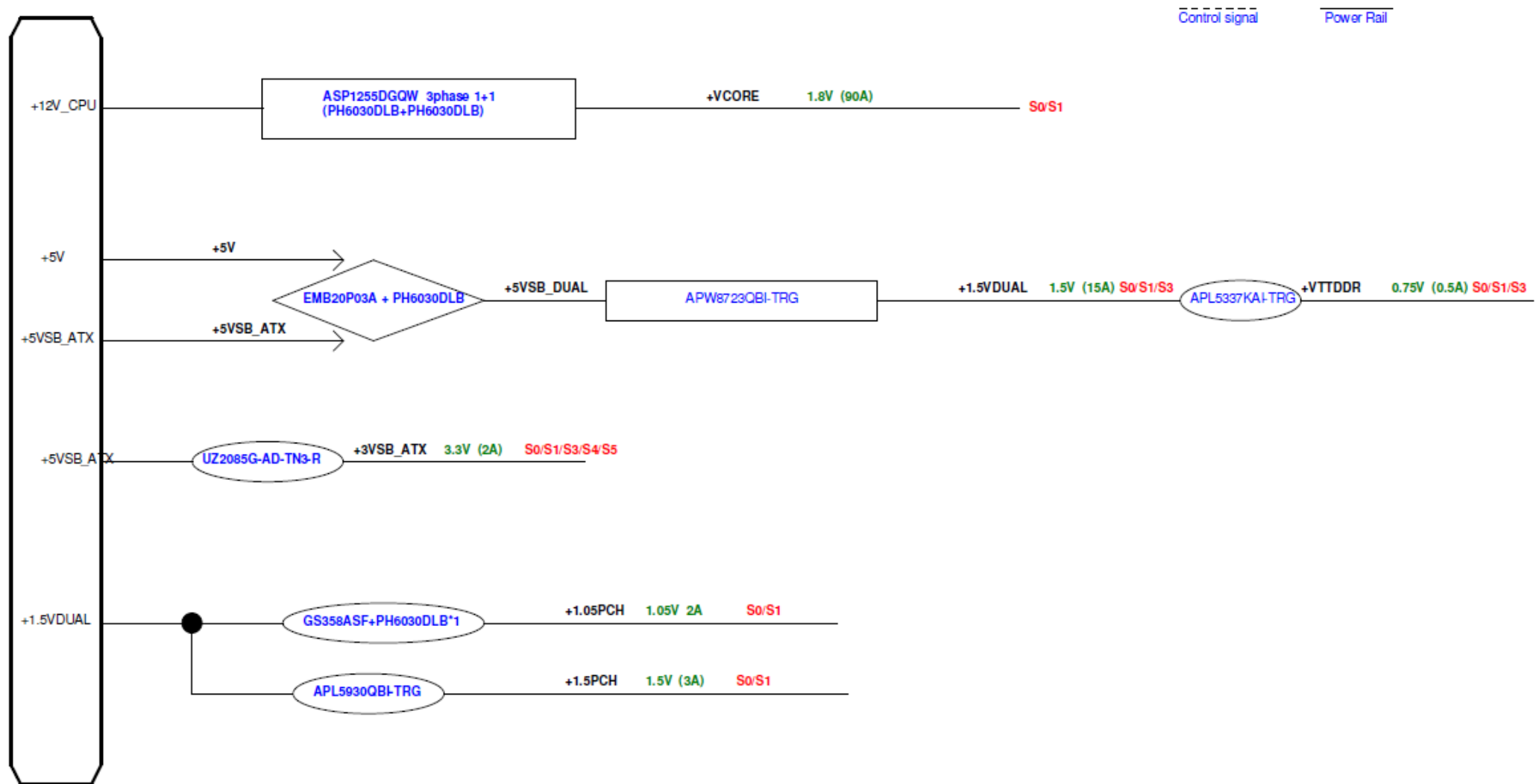


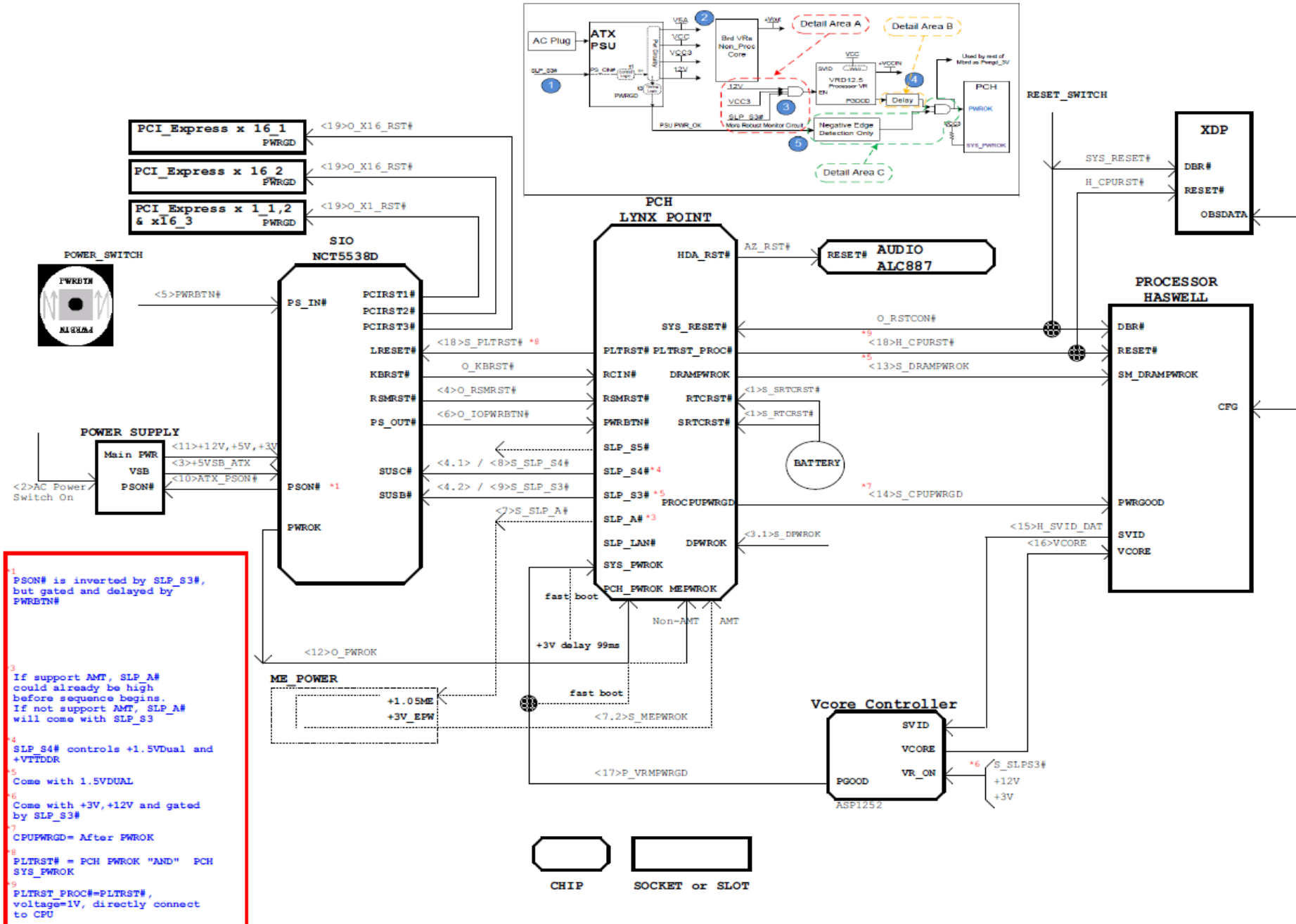
BLOCK DIAGRAM



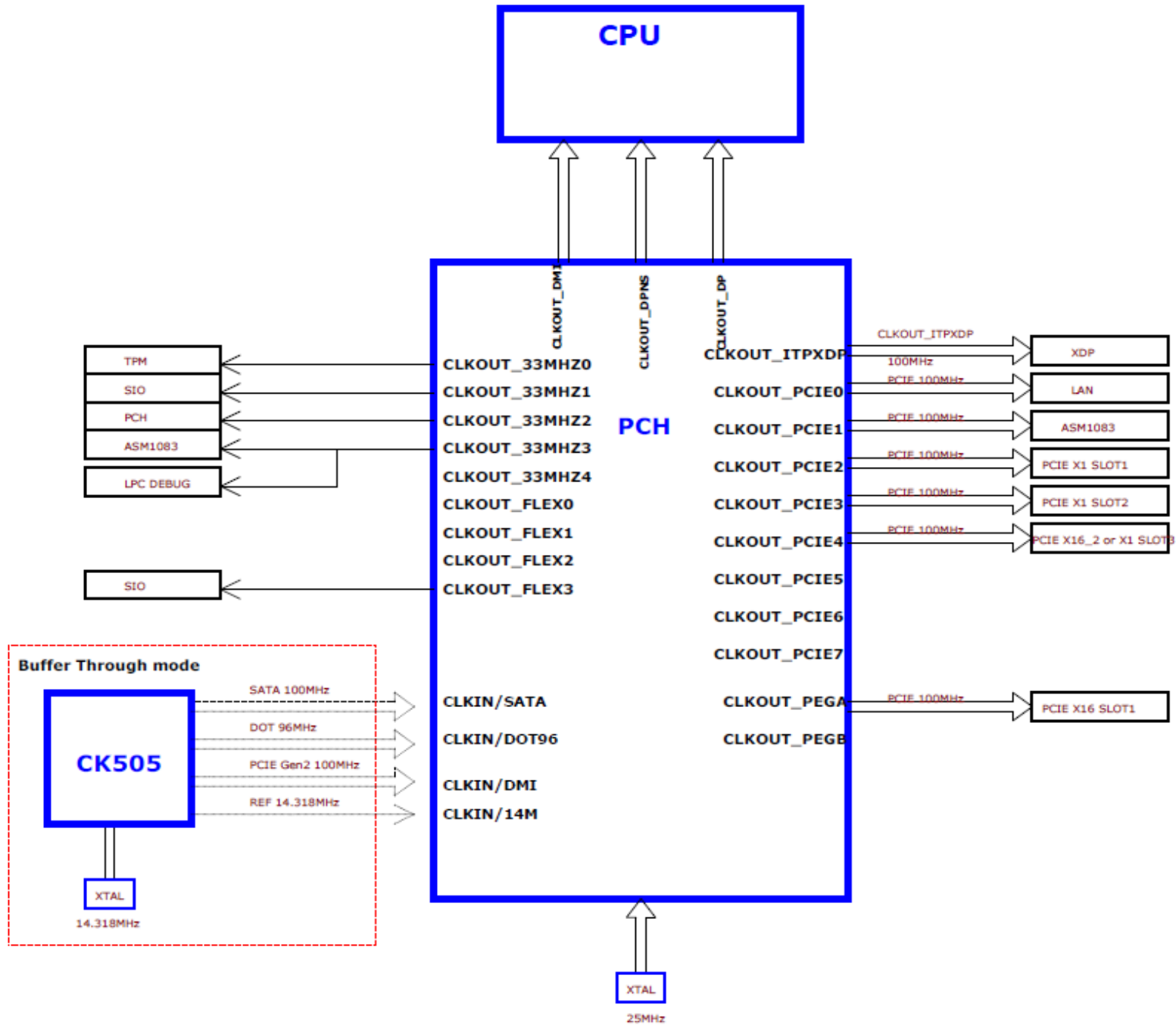
POWER FLOW



POWER ON SEQUENCE



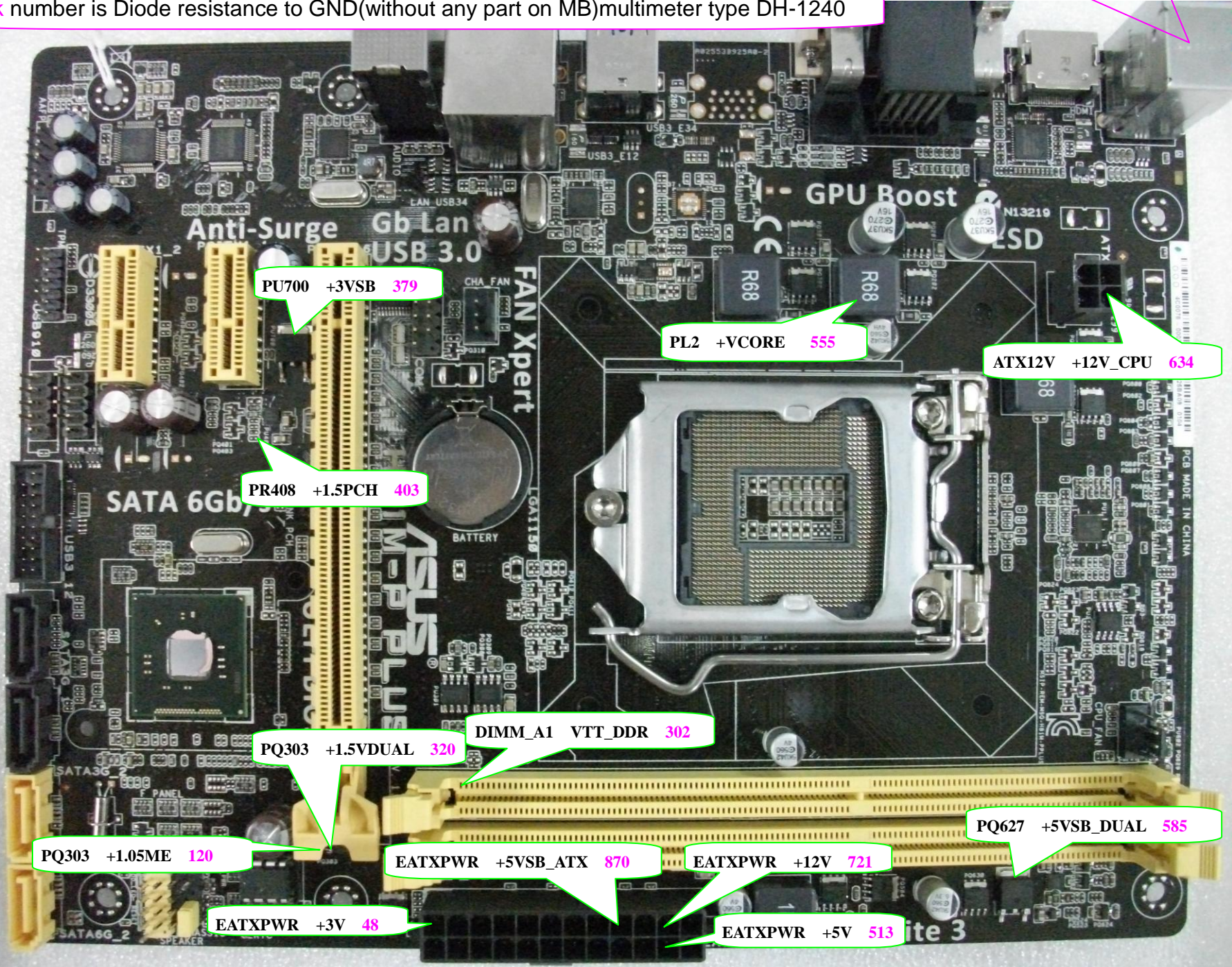
Frequency Flow



Voltage Measure Point

multi meter “VΩ mA” port touch GND

Pink number is Diode resistance to GND(without any part on MB)multimeter type DH-1240



Signal Measure Point

